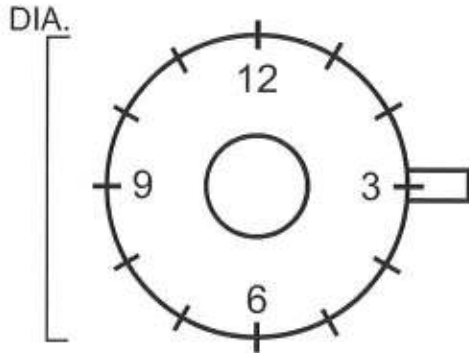


Forms & Diagrams

Schlueter Milk Receiver Order Form

Dealer# _____
 Dealer _____
 Date: _____
 PO# _____

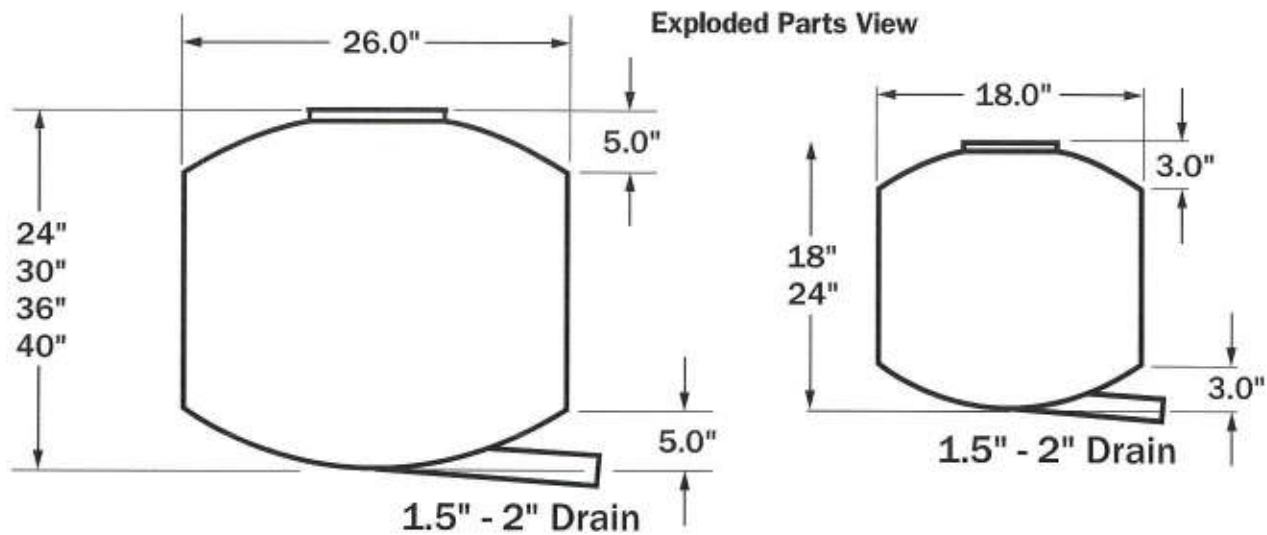


Pump Outlet Size
<input type="checkbox"/> 1.5" 39mm
<input type="checkbox"/> 2.0" 51mm
<input type="checkbox"/> 2.5" 63mm
<input type="checkbox"/> With Fitting
<input type="checkbox"/> No Fitting

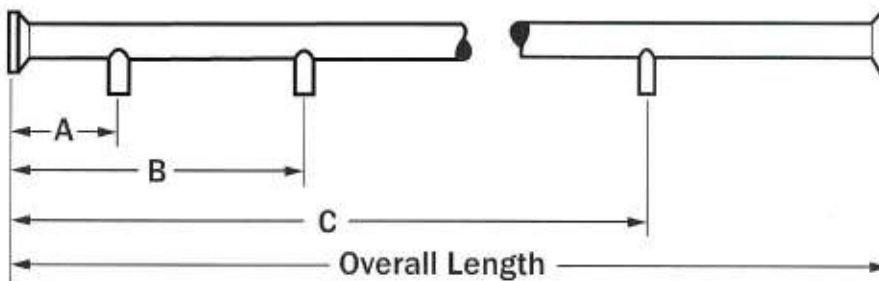
Total Capacity	Dimensions*
<input type="checkbox"/> 12 Gallon	14"D × 18"H
<input type="checkbox"/> 16 Gallon	18"D × 18"H
<input type="checkbox"/> 26 Gallon	18"D × 24"H
<input type="checkbox"/> 55 Gallon	26"D × 24"H
<input type="checkbox"/> 69 Gallon	26"D × 30"H
<input type="checkbox"/> 82 Gallon	26"D × 36"H
<input type="checkbox"/> 96 Gallon	26"D × 40"H

*Maximum dimensions.

Stainless Steel Standard Floor Receiver Tank



Custom Pipeline Order Form/Start Sheet



Measuring Technique

Always start from left end of tubing and measure to nipple.

Specify

1. Tubing size and gauge
2. Nipple size desired
3. Number of pieces
4. Inlet location
5. Note ferrules